



# **WORLD KARATE FEDERATION**

## **PARA-KARATE KATA COMPETITION RULES**

**EFFECTIVE FROM 1.1.2019**



## Content

<b>1. INTRODUCTION</b>	<b>3</b>
<b>2. DISCIPLINE, CATEGORIES, AND IMPAIRMENTS</b>	<b>3</b>
2.1. ELIGIBLE IMPAIRMENTS	3
2.2. CLASSIFICATION PROCEDURE	4
2.3. MEDICAL DIAGNOSTIC FORMS	5
2.4. RECLASSIFICATION PROCEDURES	5
<b>3. KATA COMPETITION AREA</b>	<b>5</b>
<b>4. OFFICIAL DRESS</b>	<b>6</b>
<b>5. EQUIPMENT</b>	<b>7</b>
5.1. Blindfolds	7
5.2. Wheelchair	7
5.3. Straps	8
<b>6. ADVERTISEMENT AND SPONSORING</b>	<b>8</b>
6.1. Safety	8
6.2. Duration and Place	8
6.3. Sponsors	8
6.4. Prohibited Advertising Content	8
6.5. Advertising on the Wheelchair	8
<b>7. ORGANISATION OF KATA COMPETITION</b>	<b>9</b>
<b>8. THE JUDGING PANEL</b>	<b>9</b>
<b>9. CRITERIA FOR EVALUATION</b>	<b>9</b>
9.1. ASSESSMENT	9
9.2. SCORING	10
9.3. DISQUALIFICATION	10
9.4. FOULS	10
<b>9. OPERATION OF MATCHES</b>	<b>11</b>
<b>10. OFFICIAL PROTESTS</b>	<b>11</b>
<b>11. ACCREDITATION OF ATHLETES</b>	<b>11</b>
<b>12. Appendix</b>	<b>12</b>



## **1. INTRODUCTION**

These Rules and Regulations are mandatory for all WKF Para-Karate events, as well as other recognised competitions. The Competition Rules of the World Karate Federation supplement these Rules and Regulations.

## **2. DISCIPLINE, CATEGORIES, AND IMPAIRMENTS**

In Para-Karate only Kata Individual is performed.

There are three Categories for individual Kata in Para-Karate:

- a) Wheelchair Athletes
- b) Visually Impaired
- c) Intellectually Impaired

### **2.1. ELIGIBLE IMPAIRMENTS**

#### **2.1.1. Wheelchair Athletes**

Only those athletes with at least one of the following seven (7) impairments will be considered eligible for competition in the Para-Karate Wheelchair category.

##### **Impaired Muscle Power**

Athletes with Impaired Muscle Power have a Health Condition that either reduces or eliminates their ability to voluntarily contract their muscles in order to move or to generate force.

Examples of an Underlying Health Condition that may lead to Impaired Muscle Power include spinal cord injury (complete or incomplete, tetra-or paraplegia or paraparesis), muscular dystrophy, post-polio syndrome and spina bifida.

##### **Impaired Passive Range of Movement**

Athletes with Impaired Passive Range of Movement have a restriction or a lack of passive movement in one or more joints.

Examples of an Underlying Health Condition that may lead to Impaired Passive Range of Movement include arthrogryposis and contracture resulting from chronic joint immobilization or trauma affecting a joint.

##### **Limb Deficiency**

Athletes with Limb Deficiency have total or partial absence of bones or joints as a consequence of trauma (for example traumatic amputation), illness (for example amputation due to bone cancer) or congenital limb deficiency (for example Dysmelia).

##### **Leg Length Difference**

Athletes with Leg Length Difference have a difference in the length of their legs as a result of a disturbance of limb growth, or as a result of trauma. Leg length difference must be at least 7cm.

##### **Hypertonia**

Athletes with Hypertonia have an increase in muscle tension and a reduced ability of a muscle to stretch caused by damage to the central nervous system.

Examples of an Underlying Health Condition that may lead to Hypertonia include cerebral palsy, traumatic brain injury and stroke.



## **Ataxia**

Athletes with Ataxia have uncoordinated movements caused by damage to the central nervous system.

Examples of an Underlying Health Condition that may lead to Ataxia include: cerebral palsy, traumatic brain injury, stroke and multiple sclerosis.

## **Athetosis**

Athletes with Athetosis have continual slow involuntary movements.

Examples of an Underlying Health Condition that may lead to Athetosis include cerebral palsy, traumatic brain injury and stroke.

### **2.1.2. Visually Impaired**

Athletes with vision impairments have reduced or no vision caused by damage to the eye structure, optical nerves or optical pathways, or visual cortex of the brain.

Examples of an Underlying Health Condition that may lead to Vision Impairment include retinitis pigmentosa and diabetic retinopathy.

### **2.1.3. Intellectually Impaired**

Athletes with an intellectual impairment have a restriction in intellectual functioning (IQ  $\leq 75$ ) and adaptive behavior in which affects conceptual, social and practical adaptive skills required for everyday life. This impairment must be present before the age of 18.

If athlete's impairment does not comply with the three criteria mentioned above, the athlete is not be considered eligible to compete and will therefore be excluded from the Para-Karate competition.

## **2.2. CLASSIFICATION PROCEDURE**

### **2.2.1. The System**

Classification in Para-Karate consists in an extra point compensation depending on the influence of the particular impairment when performing the Kata. Expert WKF Classifiers will assess during the Classification session the limitation in Kata performance caused by the impairment.

Consequently, the classification panel will give up to 3 extra points with one decimal number (From 0,0 to 3,0) to the athlete that will later be added to the Judges' Score as explained in the Scoring section. The classification panel is free to set the upper limit of the extra score for each category individually, depending on the difference among athletes.

### **2.2.2. Specifications and Classification Session**

Classification session will take place prior to competition in the same location, ideally one or two days before its start. In order to participate, the National Federations must include on the online WKF registration system the Medical Diagnostics Forms of the athletes, as well as (if necessary) the Diagnostic Evidence Documents.

Medical Diagnostic Forms prove the eligibility of the athlete's impairment and are together with extra testing at the competition a tool to provide more accurate extra points to the athlete.

During the classification session, one national coach has to be with the athlete all the time. In case of an athlete with Intellectual Impairments, one member of his inner circle will be also allowed to accompany him if necessary.



Following documents have to be provided at the classification session:

- Accreditation of the athlete
- ID card or Passport of the athlete
- Original MDF as provided prior with the registration
- Diagnostic Report as described in the MDF for Intellectual Impairments as provided with the registration

All athletes must use the same sportswear and equipment for classification as they use during competitions.

Concerning athletes with visual impairments, no extra testing will be performed during the classification session. Nevertheless, the athletes have to show up to the classification with the documents mentioned above for verification of their disability. Extra points will be given based on the Medical Diagnostic Form.

### **2.3. MEDICAL DIAGNOSTIC FORMS**

Medical Diagnostic Forms (MDF) are documents created by the WKF to effectively summarize diagnostic information of the para-athlete. This document will provide information about the eligibility of the athlete and valuable information to WKF classifiers to better understand the deserved extra points that will later be given.

In case of wheelchair athletes and visually impaired athletes the MDF has to be completed by a registered medical doctor.

In case of athletes with intellectual impairments, the MDF's must be completed by a registered medical psychologist. The documents for the IQ Test and a Diagnostic Report as described in the MDF have to be attached.

### **2.4. RECLASSIFICATION PROCEDURES**

An official WKF classifier may reclassify athletes at any time during the competition. The reclassification may concern all rounds or only one round, depending on the decision of the classification panel.

A reclassification may occur in following cases:

- a) if the classifier notices a difference in the performance of the athlete between the classification session and the competition.
- b) in the event of an official protest granted

In the case of an athlete being reclassified during the competition by the decision of the classifier, the extra points achieved in the competition will be added to points that correspond to the newest assessment made by the official WKF classifier. Reclassification may result in a positive or negative result.

In the event of a reclassification, the athlete and the coach will be informed immediately by the classification panel.

If an athlete is suspected to have intentionally deceived the classifier, the athlete will be disqualified immediately.

## **3. KATA COMPETITION AREA**

1. The WKF able-bodied competition rules for Kata apply.
2. The whole competition area must be without any form of barriers.



3. If bouts take place on a platform, the coaches for Intellectual Impaired and Visual Impaired sit on a chair on the platform next to the athlete. The coaches for Wheelchair Athletes sit on the chair for coaches as described in the WKF able bodied rules (see Appendix 1).
4. There must be one changing room for male and one for female; the doors to them must be at least 1 metre wide; there must be a treatment couch for the wheelchair user to change their clothing
5. In any unforeseen incident, such as extra testing, doping control, fire, case of evacuation, the national coaches are responsible for their athletes

EXPLANATION:

- I. For the proper performance of Kata a stable smooth surface is required. Usually, the matted Kata areas for able-bodied competitions will be suitable.
- II. Athletes must have the opportunity to come to the hall, extra testing rooms, doping controls, the warm up area, dressing area, the toilets and spectators' area without any barriers, especially for wheelchair athletes and visually impaired athletes. This applies in particular to competition areas on platforms, which are also to be made easily accessible for wheelchair athletes by means of a safe, drivable ramp.
- III. Should final matches or competitions take place on a platform, the coaches will bring the athletes on the platform via steps or a ramp and take them to the competition perimeter. After the bout the athletes will be taken back to the departure of the platform and guided from the platform by the coaches.

#### **4. OFFICIAL DRESS**

1. The WKF able-bodied competition rules for Kata apply. This also applies to the assistants of the athletes.
2. To protect the feet of wheelchair athletes from injuries they may wear sport shoes. They have to be completely white and without any logo or manufacturer's marks. The shaft may be only go to the ankles. Socks may be worn but have to be of white color and must not be longer than the shoe shaft.

EXPLANATION:

- I. The karate-gi jacket may not be removed during the performance of the Kata.
- II. Contestants who present themselves incorrectly dressed or does not comply to these rules will be given one minute in which to remedy the situation.
- III. The assistant does not have to have an official license but has to obey the WKF rules for coaches as the official coach has to.
- IV. Assistants and official coaches who do not obey the rules of the WKF may be suspended from the competition. In that case the participation of the athlete is still applicable, there are no consequences for the athlete.



## **5. EQUIPMENT**

The IPC Policy on Sport Equipment (outlined in the IPC Handbook) applies to all recognized competitions. The regulations in the equipment should offer every athlete the same conditions and allow a fair comparison between the athletes and their actual physical-technical abilities.

### **5.1. Blindfolds**

Athletes of the category Visually Impaired are allowed to wear blindfolds. They should be of a dark, restrained color (grey, blue, black) and should not have any logos or signs of sponsors or manufacturers.

### **5.2. Wheelchair**

Particular attention must be paid to the wheelchair, as it is considered to be part of the athlete. Contravention of the following rules will result in the wheelchair being banned from the competition.

#### **5.2.1. Allowed Wheelchairs**

All types of wheelchairs are allowed, which allow the athletic and undisturbed presentation of a Kata. Only the following types and variations are not permitted:

- a) Walk or ordinary wheelchairs with anti-tip wheels
- b) Wheelchairs with electric drive support (e.g. electric motors integrated in wheel hubs)
- c) Electric wheelchairs

#### **5.2.2. Wheelchair features**

1. The underside of the footrests must be designed to prevent damage to the tatami.
2. One or two anti-tip castor(s) attached to the back of the wheelchair for safety purposes is permitted. They can be attached to either the frame or the rear axle and located at the rear of the wheelchair, castors that frequently or even continuously come into contact with the floor, can be added to the wheelchair. The width between castors must be limited to the distance between the inside of the two big wheels. When the player is sitting in the wheelchair and it is in the forward driving position, the maximum permissible distance between the bottom of the castor(s) and the playing surface is 2 cm. The anti-tip castor(s) must not protrude beyond the vertical plane that touches the rearmost points of the driving wheels. This alignment should be judged with the wheelchair in its forward driving position  
Large rear wheels can have a maximum camber of 18 degrees (See Appendix 2).
3. The large wheels can be of any color, as long as they do not stain or damage the tatami. Any tyre or castor(s) that marks the tatami is not permitted. Exceptions may be made where it can be demonstrated that the marks can be easily removed.
4. The maximum height from the floor to the top of the cushion, when a cushion is used, or the top of the seat platform, when a cushion is not used must not exceed 65cm.
5. There must be one handrim on each wheel.
6. No steering devices or gears are allowed on the wheelchair.

#### **5.2.3. Wheelchairs in classification**

Wheelchairs used in competition must also be used in classification session. If a different wheelchair is used in competition than in classification session, the athlete will be disqualified.



### **5.3. Straps**

#### **5.3.1. Specification**

Straps to fix the legs of wheelchair athletes are allowed. They have to be of white colour and with no logo. Only a maximum of three straps can be used, and may be placed between the ankles and the hip. Fixation of the upper body is not allowed.

#### **5.3.2. Straps used in classification**

Straps used in competition must also be used in classification session. If no strap is used in the classification session and one used in competition or a different strap is used in classification session than in competition, the athlete will be disqualified.

## **6. ADVERTISEMENT AND SPONSORING**

All Para-Athletes and Para-Coaches as well as the Assistants have to submit to the rules of the WKF able-bodied rules to the official dress, this also applies to the placement of badges, embroideries and advertising. The following regulation applies to advertising on wheelchairs in the wheelchair athletes category:

### **6.1. Safety**

All advertising on wheelchairs must comply with any applicable safety regulations of the WKF.

### **6.2. Duration and Place**

The following regulations apply for the whole duration of the competition, including the event itself, all ceremonies (victory, opening and closing), interviews and press conferences. Furthermore, the regulations refer to all venues and sites of the competition.

### **6.3. Sponsors**

In total there can be only one sponsor on the sleeve of Karategi and one sponsor on the wheels of the wheelchair. No second sponsor can be present on wheelchairs combined. However, it is allowed to advertise multiple logos of the sponsor at the positions and sizes specified in the rules.

### **6.4. Prohibited Advertising Content**

No use of any identification or logo and no item may be used for promoting or advertising which in a view of the WKF political, religious, providing false impression of the sport or to the identity or reputation of the competition or any Local organizing committee or any NF or competitor. Advertising of products which harms the integrity of the sport or its athletes for e.g. Tobacco is also prohibited.

WKF will have the general discretion to object to any form of advertising which hurts the integrity of the sport, its athletes or gives a bad image to the competition.

### **6.5. Advertising on the Wheelchair**

The placement of the sponsor logos on the wheelchair should be according to these guidelines.





### **6.5.1. Allowed placements**

The advertising may be placed on the main wheels. The size of the logo can take up to the size of the circle making the spoke (see Appendix 3). Both wheels can be used.

### **6.5.2. Prohibited placements**

It is prohibited to place Sponsor Logos or advertisement on following places of the wheelchair:

- on the backrest
- on the side guards or armrests
- on the footplate
- on the castors
- on the frame

This is to ensure a uniform and orderly appearance of the athletes, to guarantee the safety of the wheelchairs and to prevent collisions with existent sponsor logos e.g. on the start number.

## **7. ORGANISATION OF KATA COMPETITION**

1. The WKF able-bodied competition rules for Kata apply.
2. The score list will consist of classification information along with the corresponding number of additional points for each competitor.
3. After every bout the result will then be officially announced.
4. The medals will be awarded in the usual way.

## **8. THE JUDGING PANEL**

1. The WKF able-bodied competition rules for Kata apply.
2. The panel of seven Judges for each bout will be designated and trained by the Chairman of the Referee Commission, support in training by the Para-Karate Commission Chairman can be given.
3. The Judges of a Kata bout should not have the nationality of either of the participants or be from the same National Federation of either of the participants. In case that there are not enough qualified judges exceptions can be made.

## **9. CRITERIA FOR EVALUATION**

### **9.1. ASSESSMENT**

1. In assessing the performance of a contestant, the Judges will evaluate the performance as described in the able-bodied Competition Rules of the WKF for Kata.
2. The performance is evaluated from the bow starting the Kata until the bow ending the Kata.
3. Contestants can perform the same Kata in each round, repetition of the Kata is therefore allowed.
4. The Kata is freely selectable from the WKF Kata list as shown in the WKF able-bodied Competition Rules
5. Deviations may be acceptable due to the type of impairment.
6. Slight variations as taught by the contestant's style (ryu-ha) of Karate will be permitted.



## 9.2. SCORING

1. The seven judges give their score based on the assessment. In contrast to the WKF able-bodied rules only the highest and lowest score will not be taken into account in the calculation of the result (so five (5) scores out of seven (7) scores are taken into account) and Technical Performance and Athletic Performance are given separate score using the same scale from 5.0 to 10.0 in increments of 0.1 since an extra point system is used.
3. Extra Point system:  
After the classification of the degree of disability by the classification panel, extra points will be added to the Judge evaluation respectively, taking into account how the impairment affects Kata performance (see 6.2.1).

## 9.3. DISQUALIFICATION

A competitor or a team of competitors may be disqualified for any of the following reasons:

- a) Failing to bow at the beginning and completion of the Kata performance.
- b) A distinct pause or stop in the performance.
- c) Interference with the function of the judges (such as the judge having to move for safety reasons or making physical contact with a judge).
- d) Belt falling off during the performance.
- e) Failure to follow the instructions of the Chief Judge or any other misconduct

## 9.4. FOULS

The following fouls, if apparent, must be considered in the evaluation according to above criteria.

1. Belt coming loose to the extent that it is coming off the hips during the performance.
2. Time wasting, including prolonged marching, excessive bowing, or prolonged pause before starting the performance.

### EXPLANATION:

- I. Kata is not a dance or theatrical performance. It must adhere to the traditional values and principles. It must be realistic in fighting terms and display concentration, power, and potential impact in its techniques. It must demonstrate strength, power, and speed — as well as grace, rhythm, and balance.
- II. To the technical performance instead of stances wheelchair manipulation and fluidity of techniques should be taken in account at the Wheelchair Athletes competition, too.
- III. Deviations may be for example alternative techniques for non-executable techniques (hand techniques or raising the wheelchair instead of kicks for wheelchair athletes, Hikite to wheelchair wheel instead of to hip) or turns instead of jumps for athletes of all categories.
- IV. It is the sole responsibility of the coach to ensure that the Kata as notified to the score table is appropriate for that particular round.
- V. Reasons for disqualification and the considering of fouls in the evaluation should be treated with care, as some clinical pictures can cause or influence certain behaviours or problems may occur. The judges should be given the possibility of a meeting (Shugo) here, without necessarily resulting in a consequence.



## **9. OPERATION OF MATCHES**

1. The WKF able-bodied rules apply.
2. At the start of each bout and in answer to his name, the athlete will line up at the middle of the match area perimeter facing the Chief Kata Judge. He may be guided to this position by the coach. Then the athlete moves to the starting position by himself which is within the perimeter of the competition area, the coach is not allowed to enter the perimeter. The athlete will bow and make a clear announcement of the name of the Kata that is to be performed, and begin the Kata. On completion of the Kata, the athlete will after bowing at the end of the Kata await the decision of the panel.
3. After the announcement of the decision the athlete bows again and returns to the match area perimeter to leave the competition area. The coach may fetch him after the athlete left the perimeter.
4. Draws are determined as the WKF able-bodied Kata rules describe. However the Para-Athletes are allowed to repeat the Kata or show a Kata which will be repeated in the next round.

## **10. OFFICIAL PROTESTS**

Official protests in Kata competition and in classification matters will follow the same procedure as described under the WKF able-bodied Kata Rules.

Complaints outside the official protest procedures are not accepted.

## **11. ACCREDITATION OF ATHLETES**

1. Athletes have to be minimum 16 years old.
2. They have to be registered through their National Federation.
3. The registration has to be made on the WKF online registration system.
4. The registration, together with the MDF, the TUE approved by the National Anti-Doping organization, and a coach must be uploaded on the WKF online registration system. Therapeutic Use Exemptions (TUE) are to be submitted and approved by the corresponding National Anti-Doping Organization and then submitted to the WKF Anti-Doping Manager.
5. Coaches need to fulfil the requirements as established through the WKF rules and regulations, e.g. they will need to have at least the WKF Certified Kata Coach License for the World Championships. Specific requirements will be published in the event bulletin for each event.
6. One additional assistant can be registered per athlete. The assistant will get his accreditation during the Para-Karate coach meeting.
7. The registration will initially remain as "pending", subject to a medical expert reviewing the entry (within max. two days)
8. There must be at least 4 athletes registered per category in order for the category to be present at the Championships. However, the Organizing Committee may make exceptions if the number of participants is not reached.
9. One responsible person of the athletes' NF has to collect the accreditation at the accreditation room within the established date and time
10. After registration the classification session of the para-athletes takes place to determine the extra score. The participation at the classification session is obligatory, athletes who do not do this classification are excluded from the competitions.

11. The athletes have to be available for extra classification procedures and reclassification at all times during the Championships

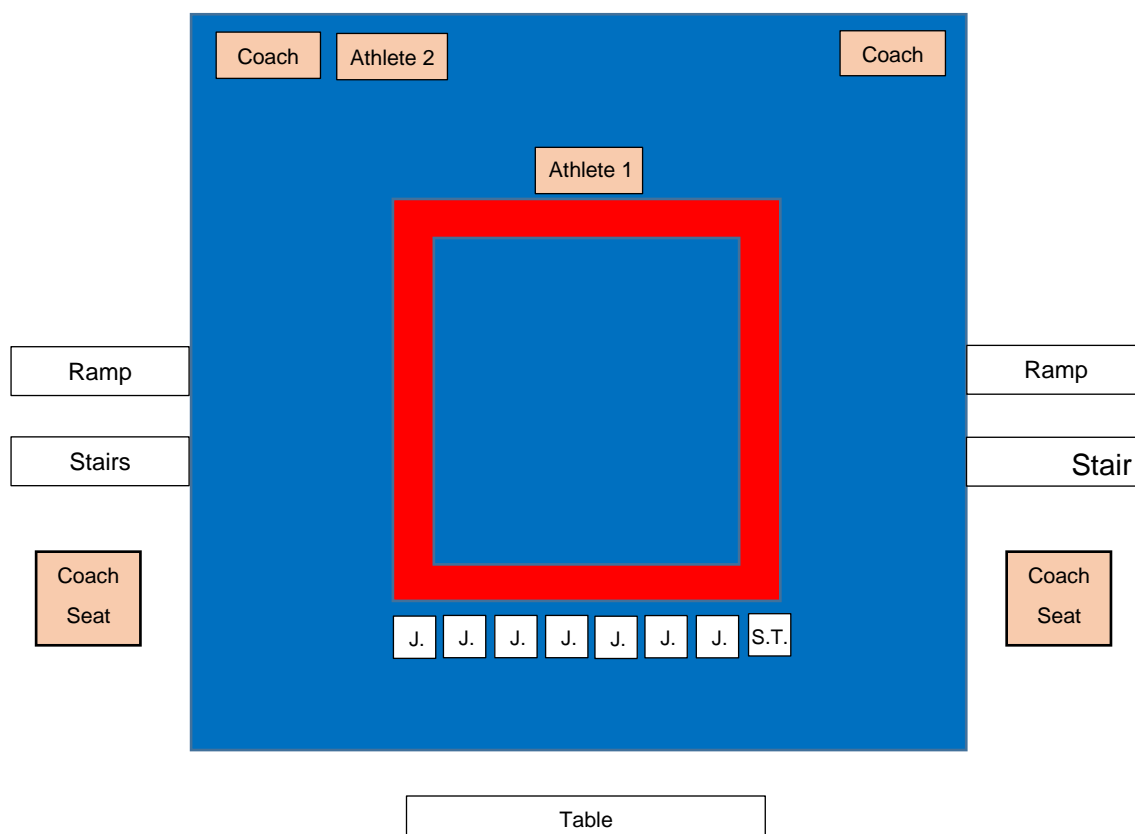
## 12. Appendix

### 1. LAYOUT OF THE KATA COMPETITION AREA

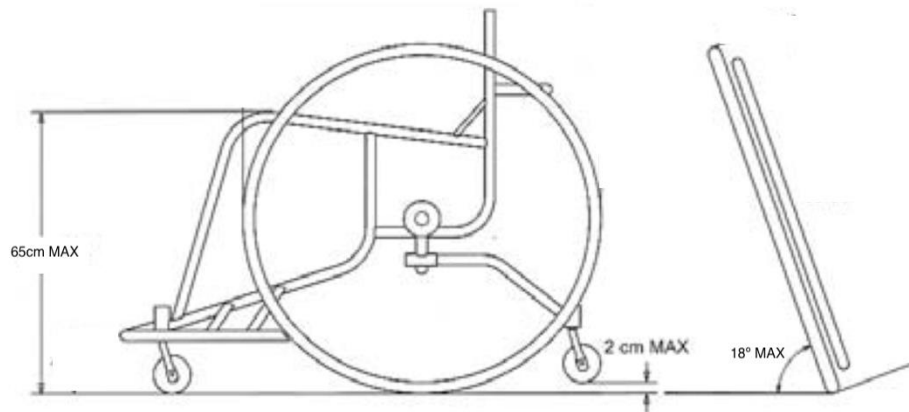
The layout of the competition area follows the WKF able-bodied Kata competition rules.

In finals which take place on a ramp the athletes of the categories Intellectual Impairment and Visual Impairment may be guided by official coaches onto the platform because of safety reasons. The coaches stay during the matches on a chair next to the athlete on the platform. However athletes may be guided to the perimeter and fetched from the perimeter by the coaches before and after their performance.

Wheelchair Athletes are guided onto and from the platform by the coaches but coaches must stay seated on the official coach chairs while the competition.



## 2. WHEELCHAIR MEASUREMENTS



## 3. ALLOWED PLACEMENT OF ADVERTISING ON WHEELCHAIRS

